



---

# JM20339 Hi-Speed USB to SATA Bridge

---

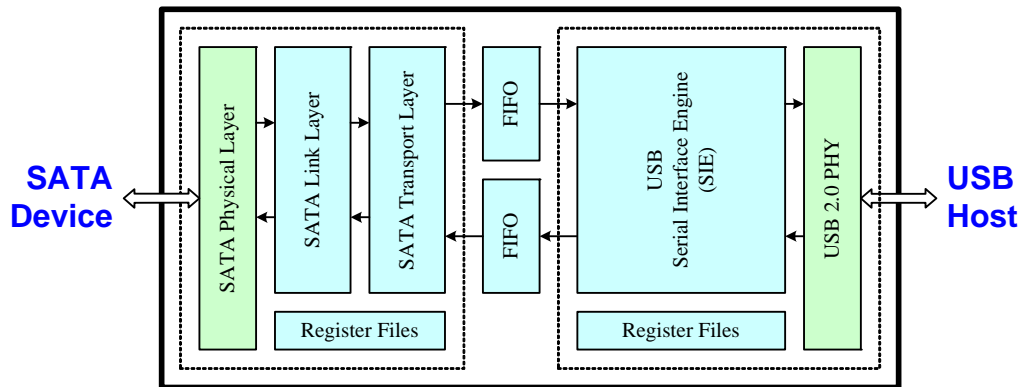
## Overview

The JM20339 is the single chip solution to bridge between USB host and SATA device. The highly integrated Hi-Speed USB and SATA Phys technology provides a cost-effective solution to apply USB to SATA device enclosure. The USB adheres the Mass Storage Class Bulk-Only Transport Specification. The embedded command parser supports both ATA and ATAPI command set with LBA48 addressing capability.

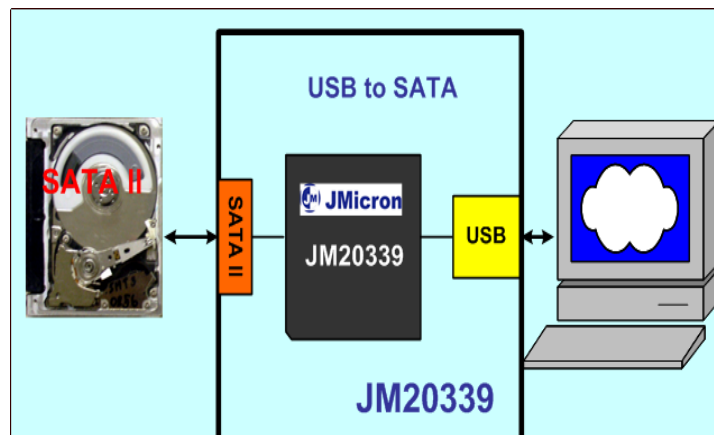
## Features

- Compliance with Gen1i/Gen1m of Serial ATA II Electrical Specification 2.5
- Support SATA II Asynchronous Signal Recovery (Hot Plug) feature
- Compliance with USB 2.0 electrical specification
- Support USB High-Speed and Full-Speed Operation
- Compliance with USB Mass Storage Class, Bulk-Only Transport Specification
- Support ATA/ATAPI PACKET command set
- Support ATA/ATAPI LBA48 addressing mode
- Support 12MHz external crystal or 12MHz internal embedded oscillator.
- Support external NVRAM for Vender Specific VID/PID of USB Device Controller
  - Support PMC/SST/ST SPI interface EEPROM for External NVRAM
- Embedded 5V to 3.3V and 1.8V voltage regulator
- 64 LQFP package and support 5V tolerance GPIO pins
- Support the external firmware flexibility
  - Support PMC/SST/ST SPI interface serial flash for external firmware
  - Maximum size is 16Kbyte
- Support on line USB firmware update ( e.g. ISP)
- Embedded six hardware PWM
  - Four PWM output are located on GPIO[16, 18, 22, 23] pins
  - One PWM output is located on HDDA.
  - One PWM/Fading output are programmable to HDDA or other GPIO pins
- Embedded 2K bytes data FIFO for USB data transfer
- Embedded high performance 8-bit MCU
- Support 4K sectors HDD command
- Support auto-get SPI serial flash hardware engine.

## Functional Block Diagram



## Application



## Product Information

Name	Description
JM20339	Hi-Speed USB to SATA Bridge

### Design Kit

1	JM20339 Data Sheet
2	JM20339 Design Guide
3	<a href="#">Application EVB</a>

### Contact Information

Department	Email
Sales	<a href="mailto:sales@jmicron.com">sales@jmicron.com</a>
Tech. Support	<a href="mailto:fae@jmicron.com">fae@jmicron.com</a>